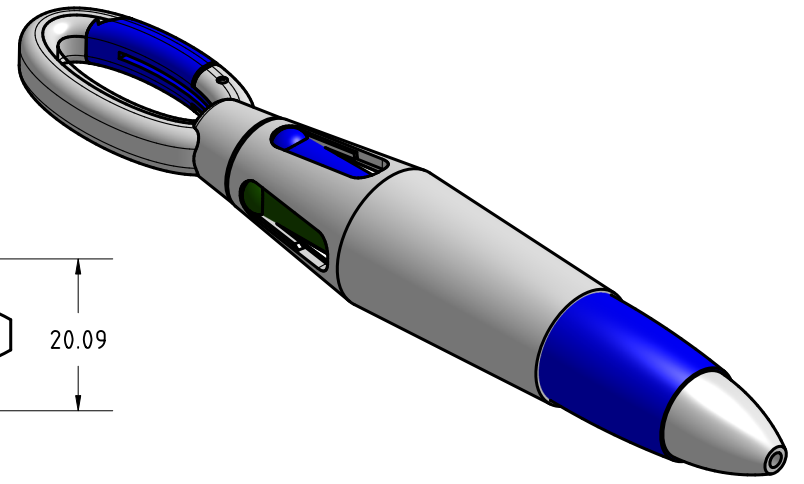
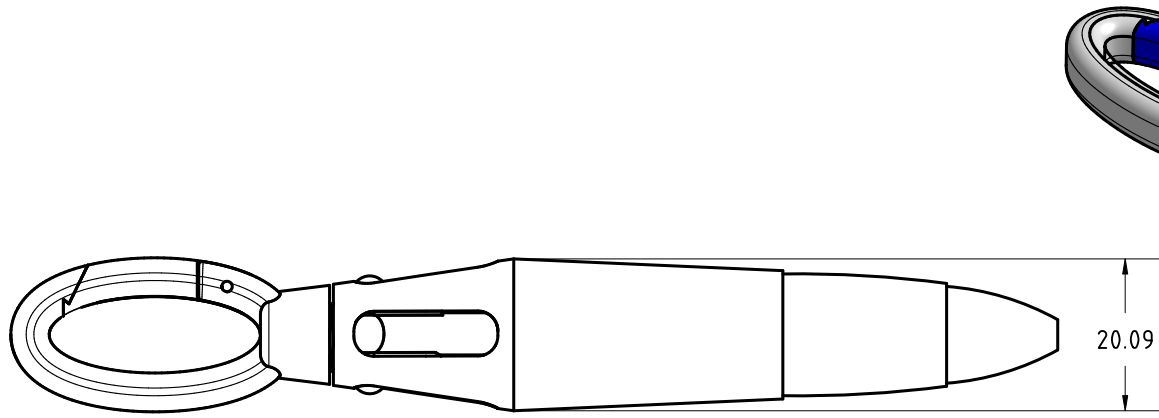


2

1

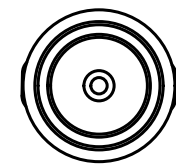
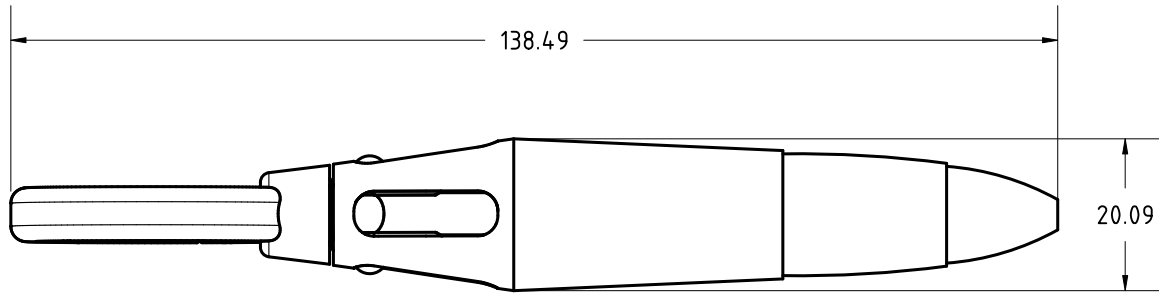
B

B



A

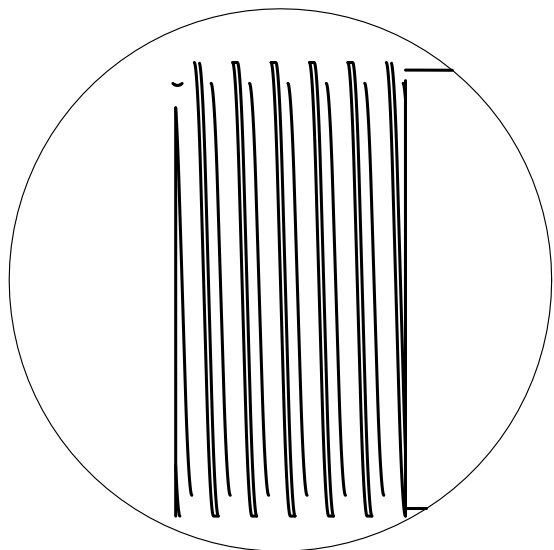
A



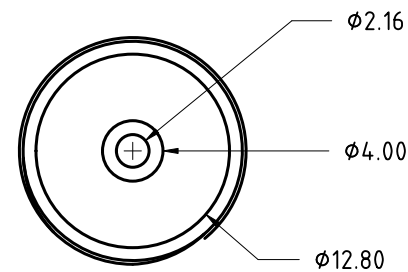
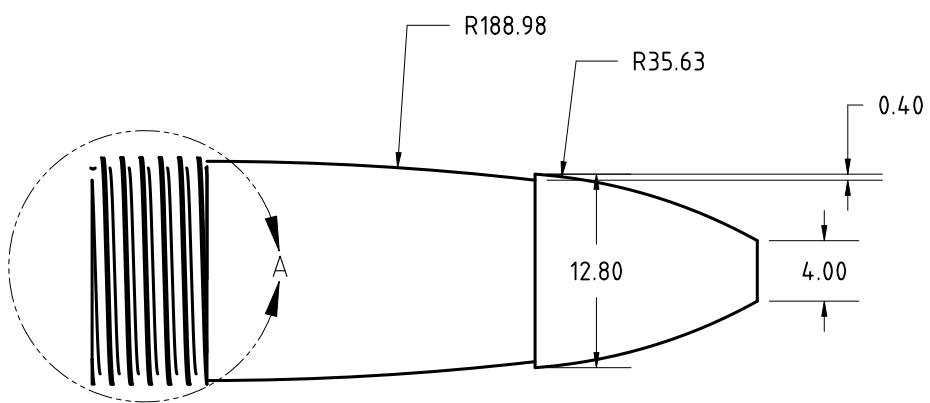
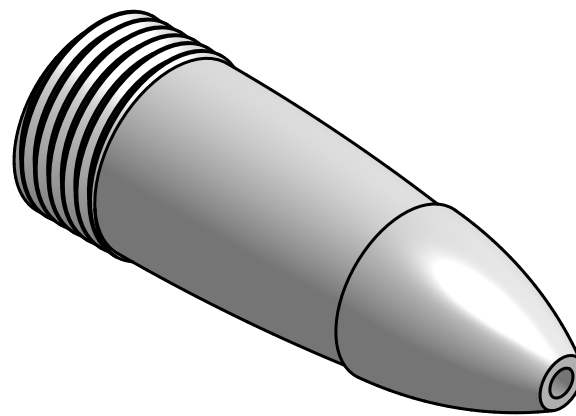
2

1

1.27 mm
Thread with 45°



A
4:1

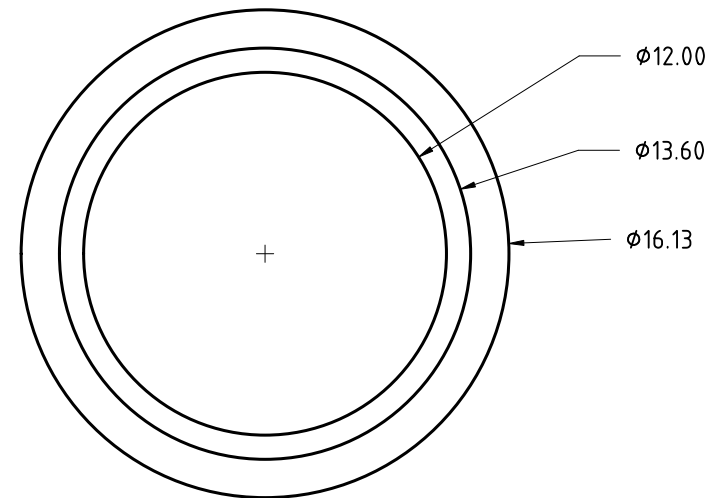
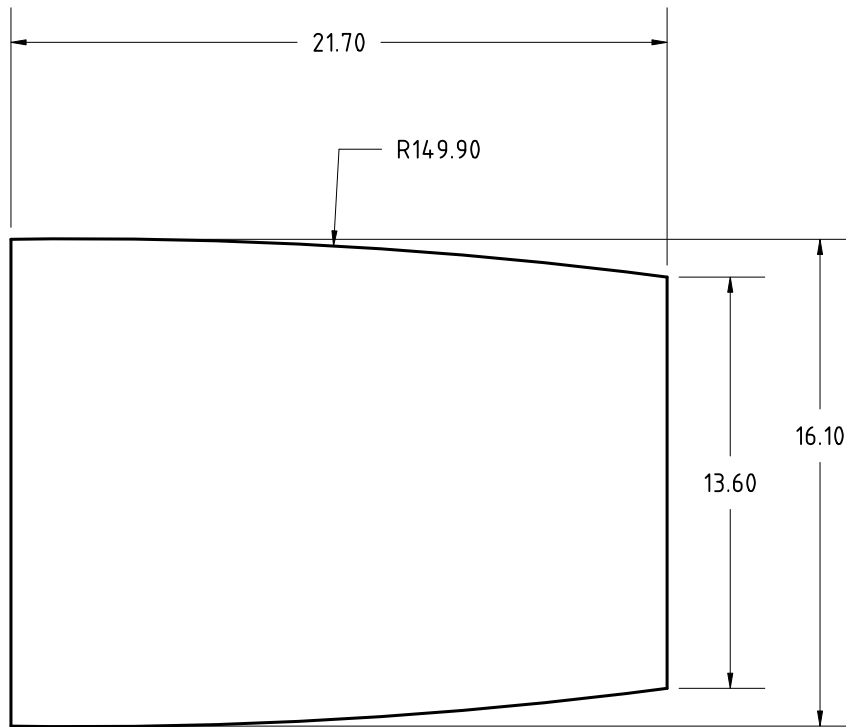
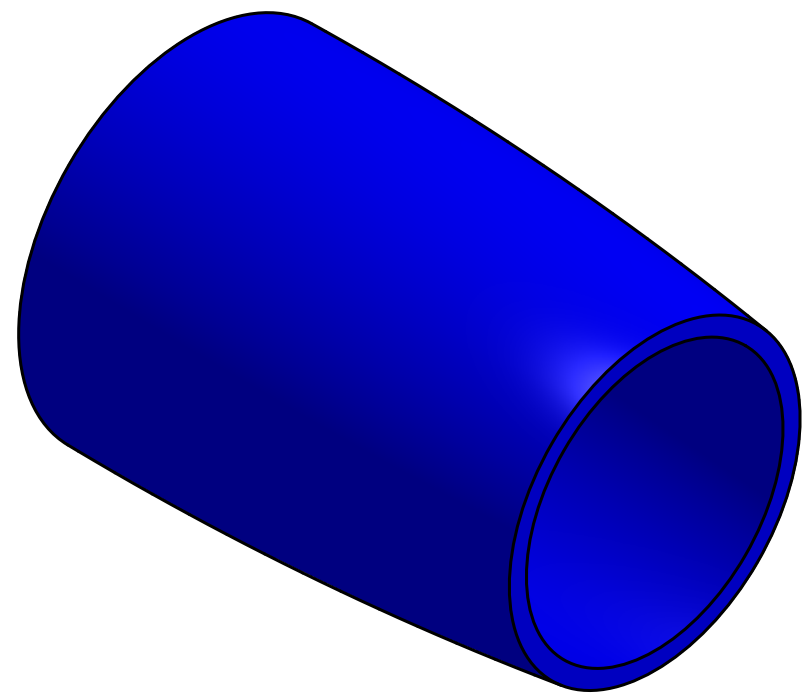


2

1

B

B



A

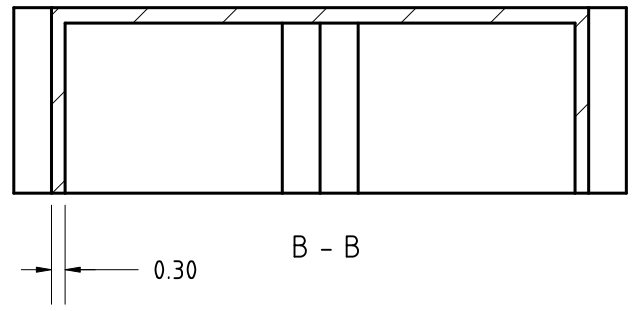
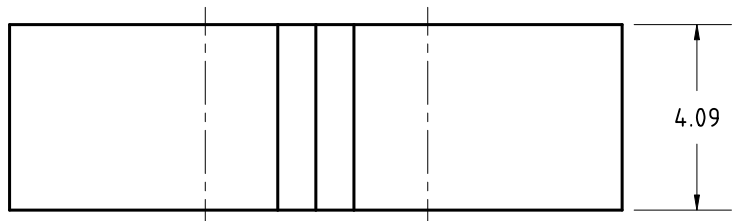
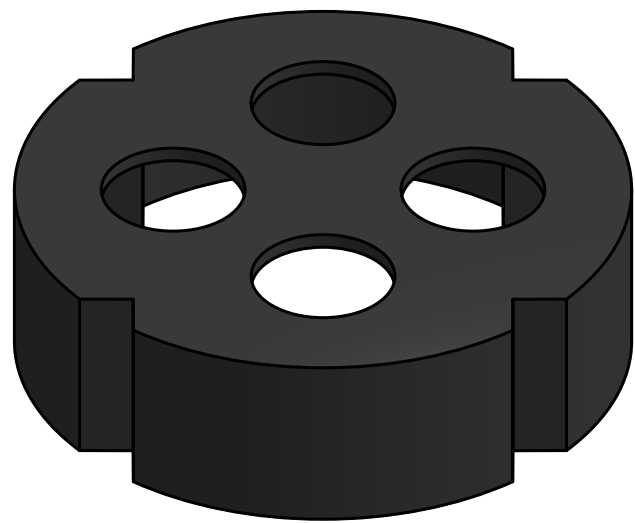
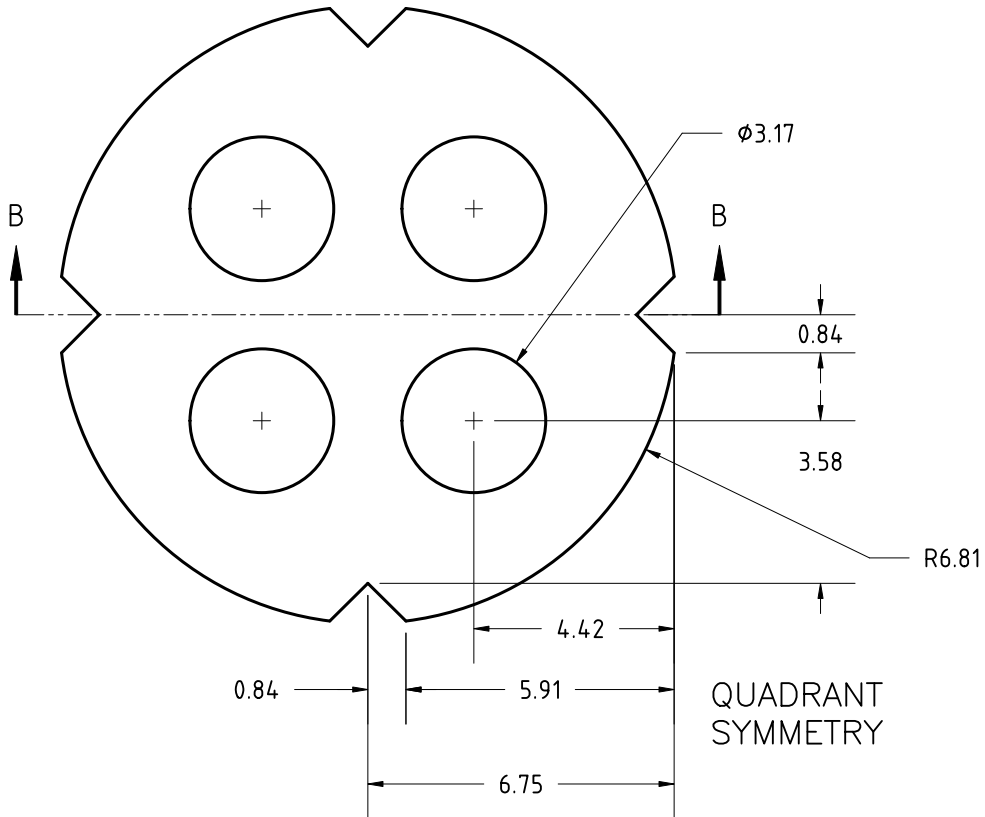
A

2

1

2

1



2

1

B

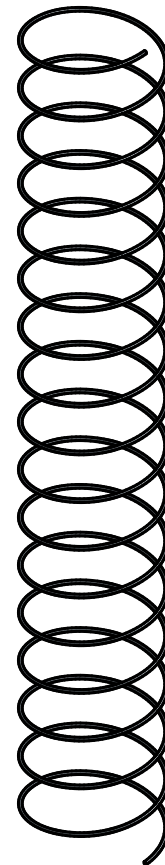
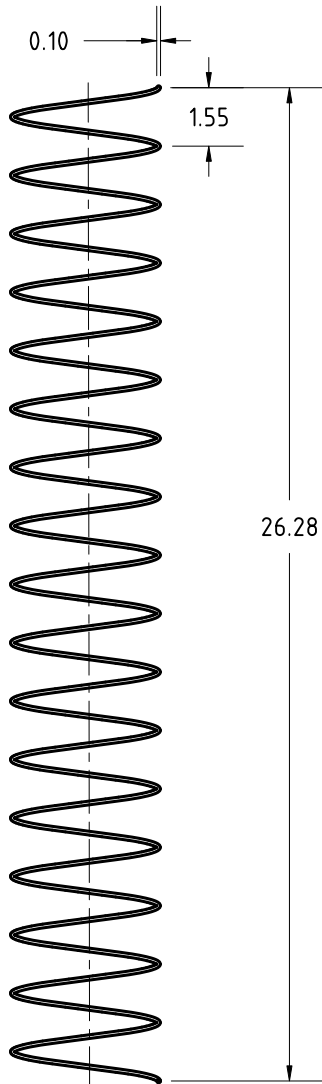
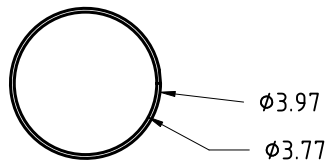
B

A

A

2

1



B

B

A

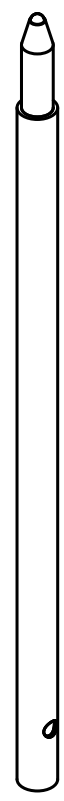
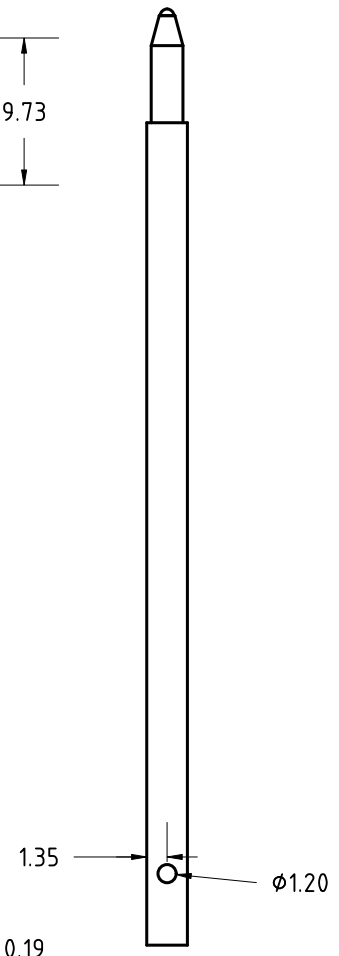
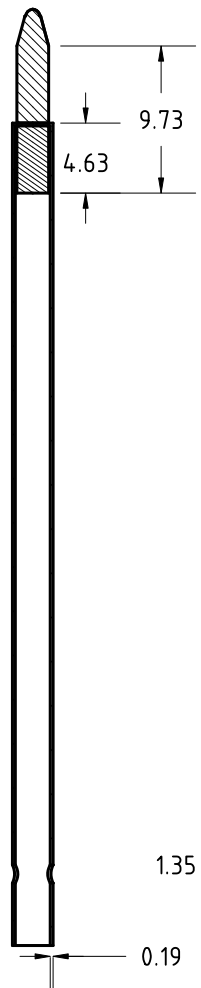
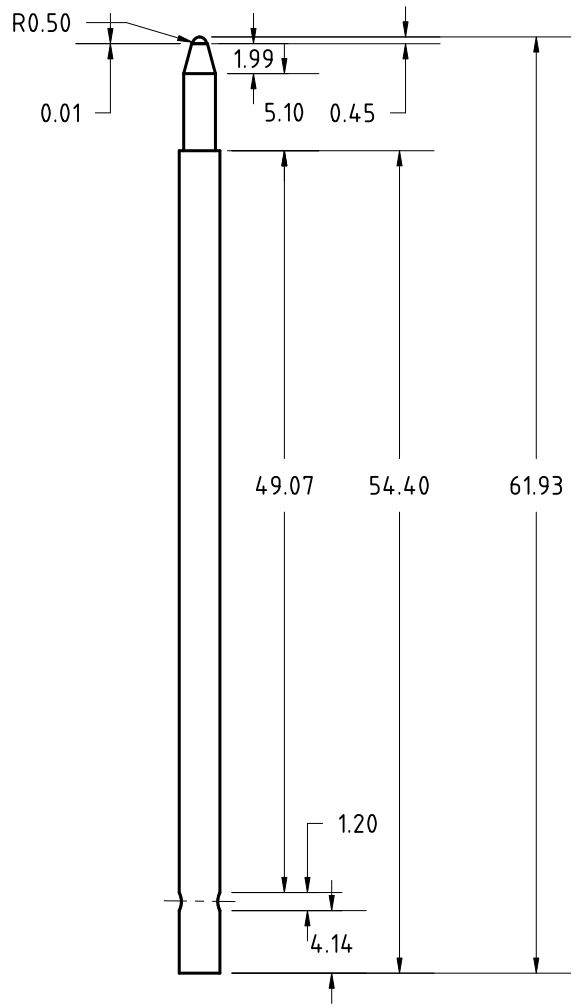
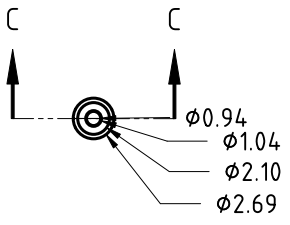
A

2

1

2

1



C - C

2

1

B

B

A

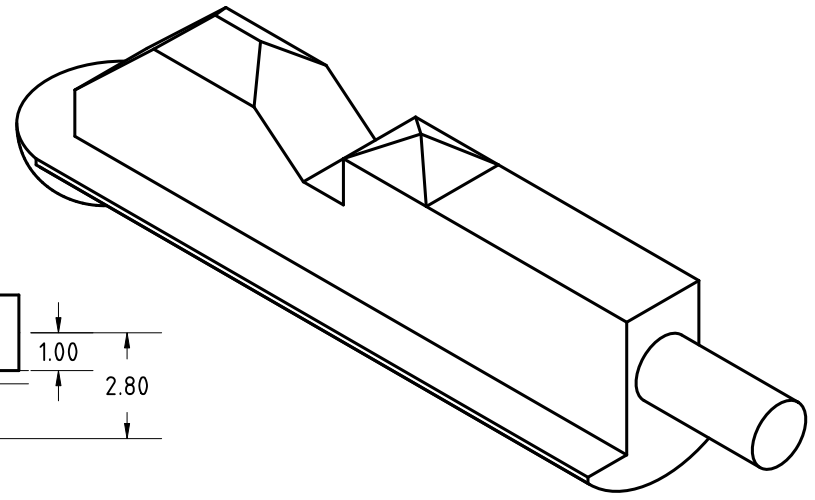
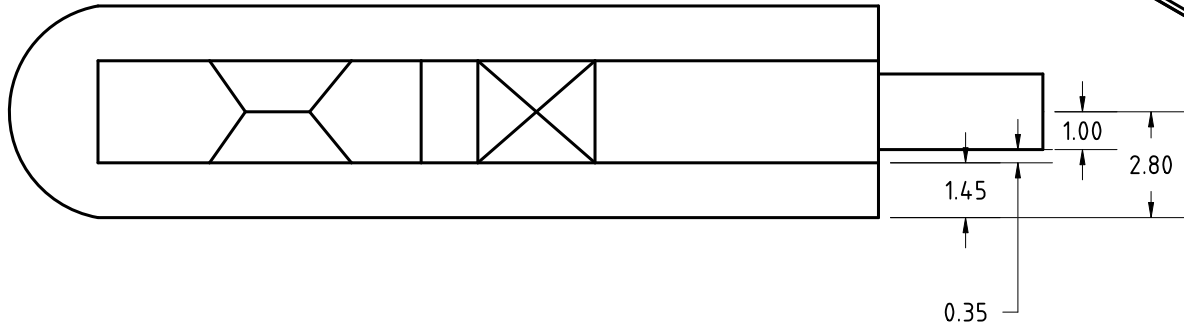
A

2

1

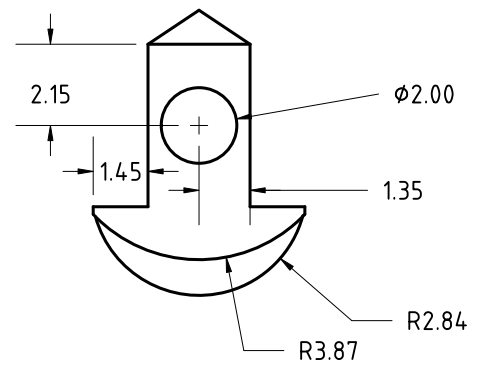
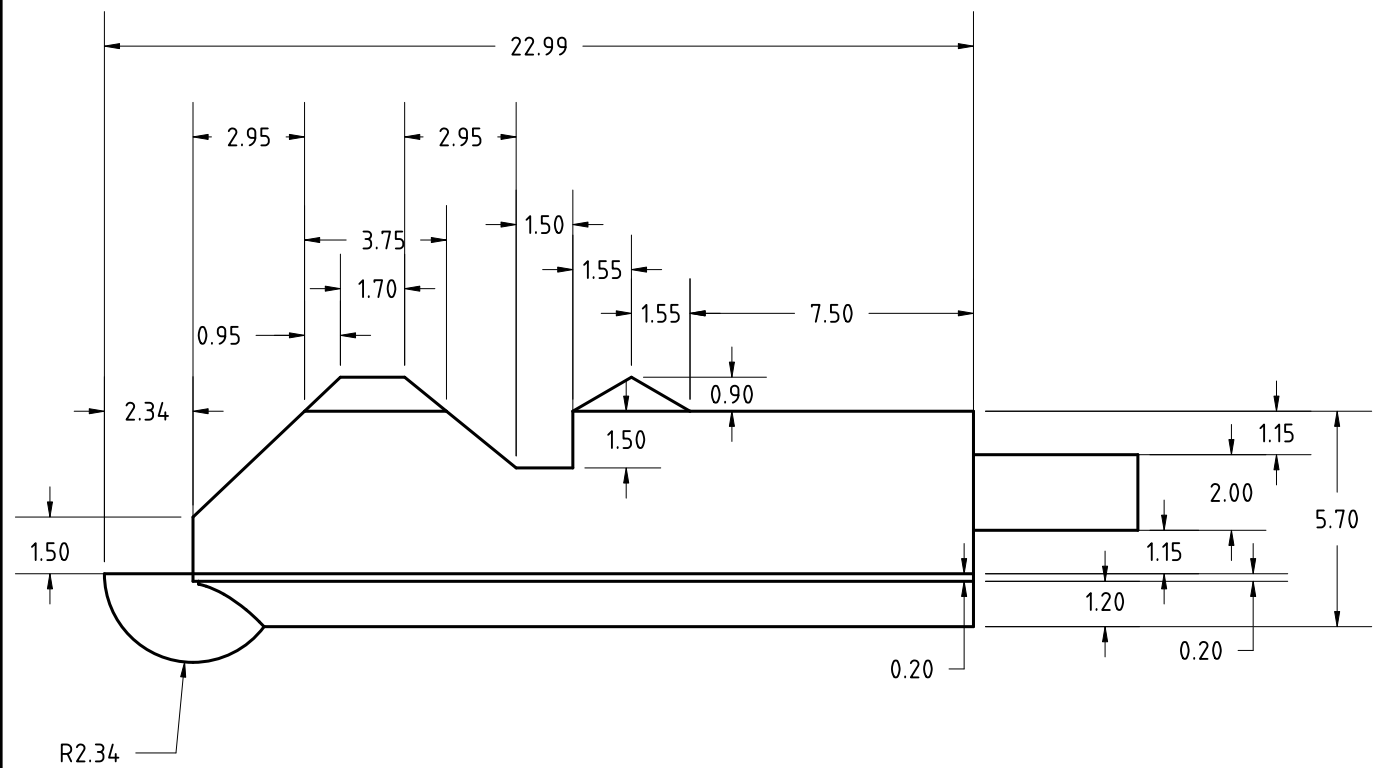
B

B



A

A



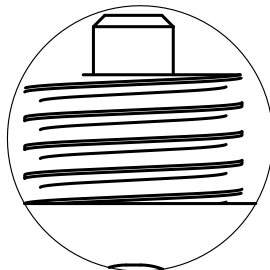
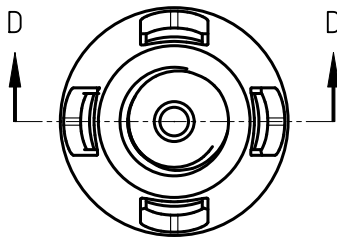
2

1

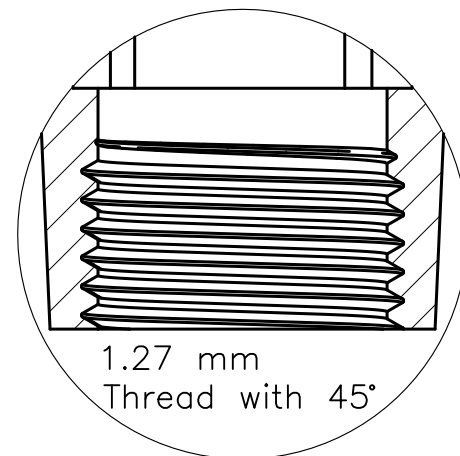
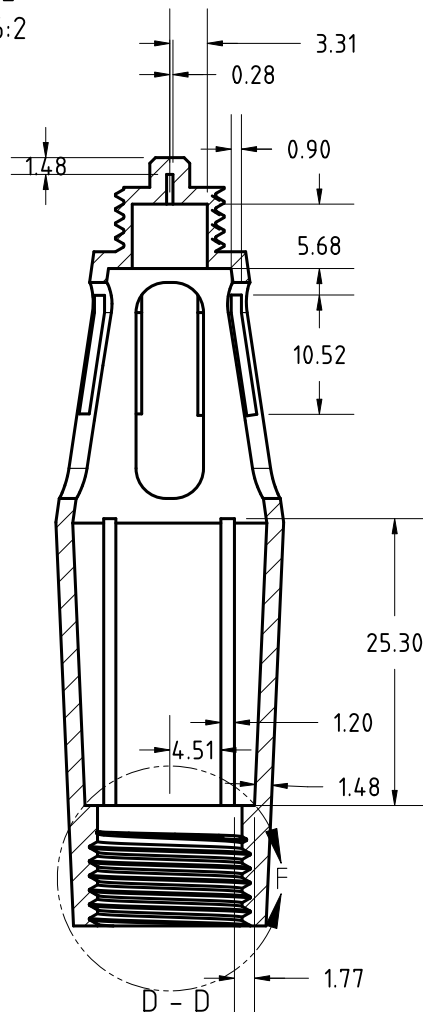
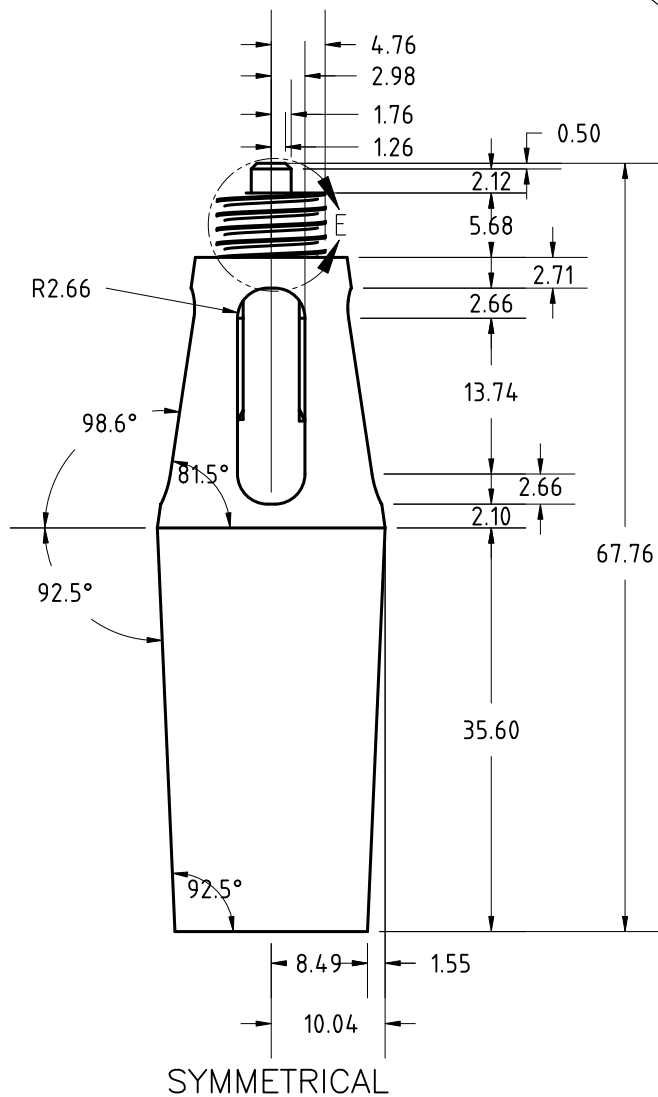
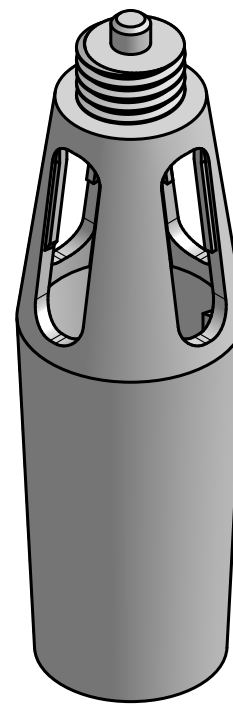
2

1

1.27 mm
Thread with 45°



E
6:2



F
6:2

3:2

PART #

Body

SHEET

9 of 14

REV.

2

1

B

B

A

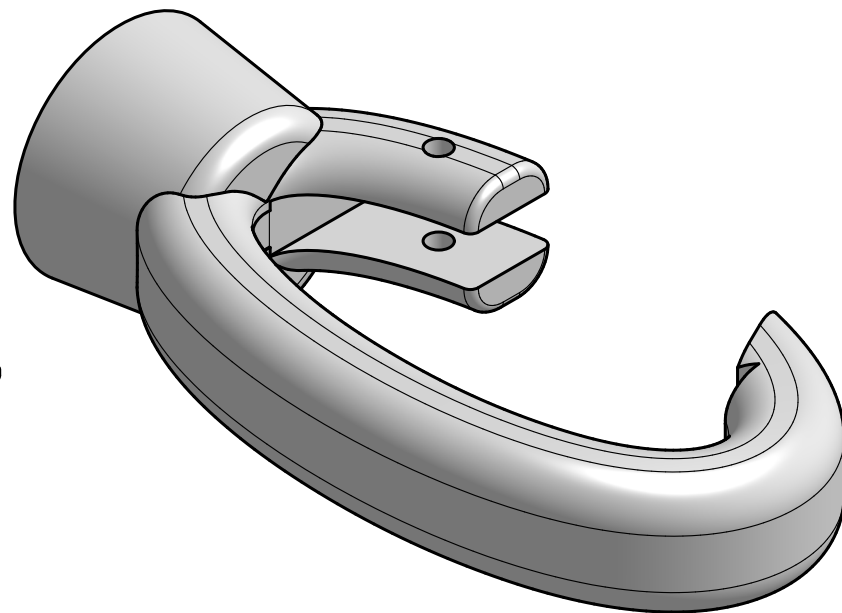
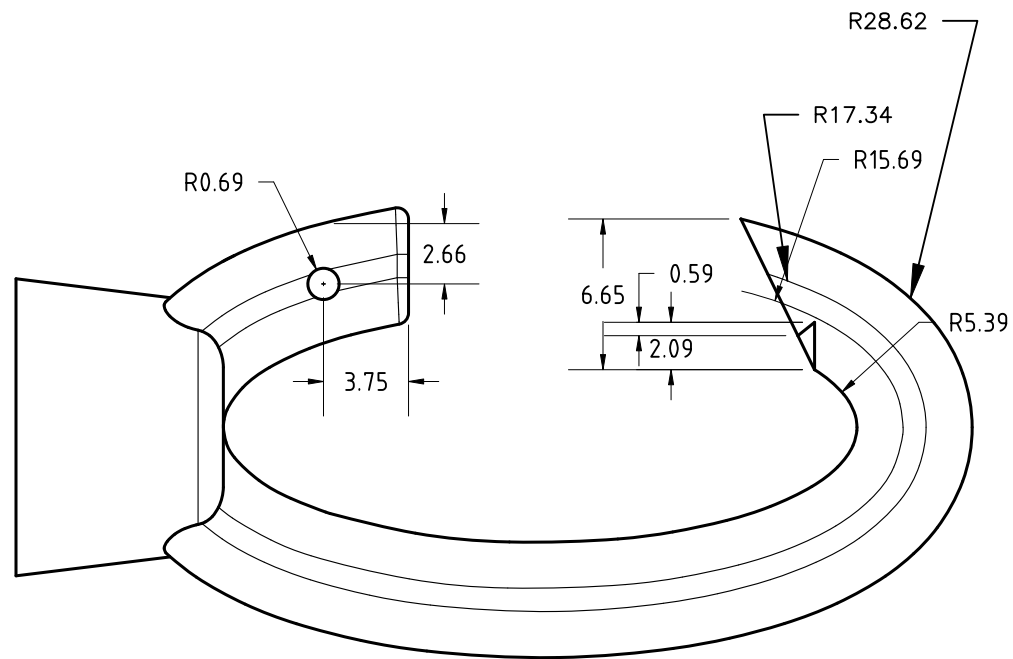
A

2

1

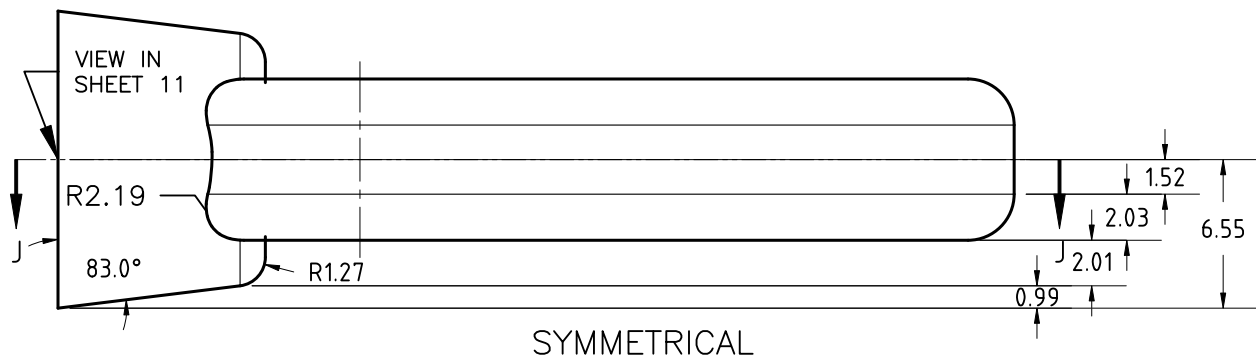
B

B

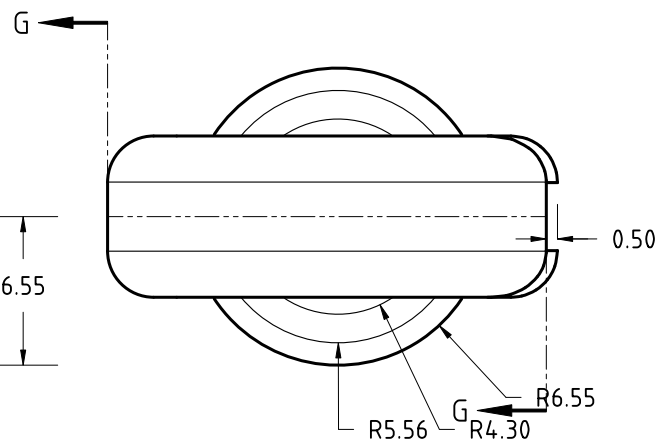


A

A



SYMMETRICAL



2

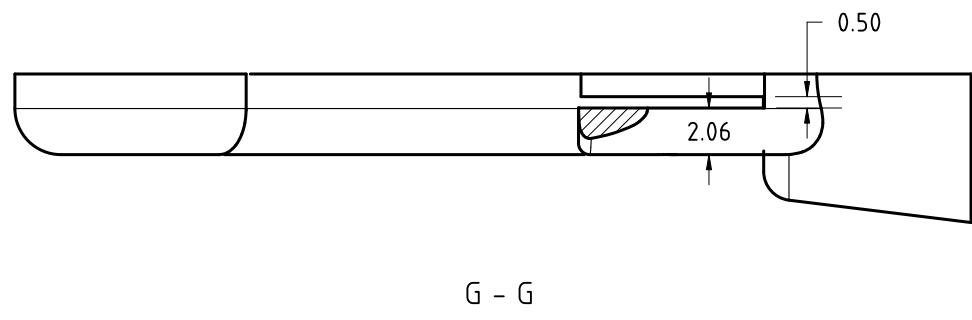
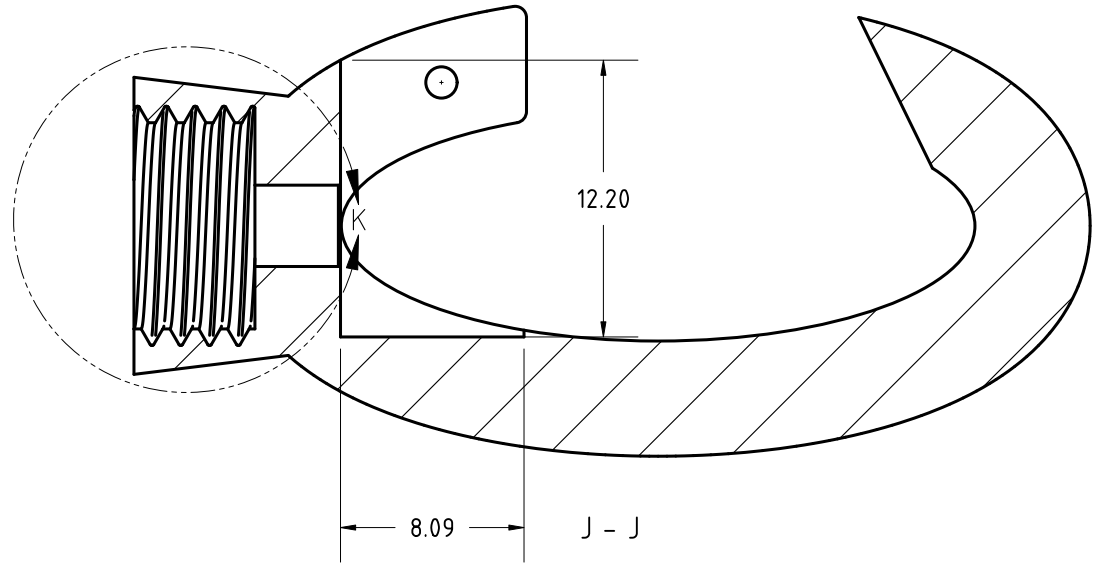
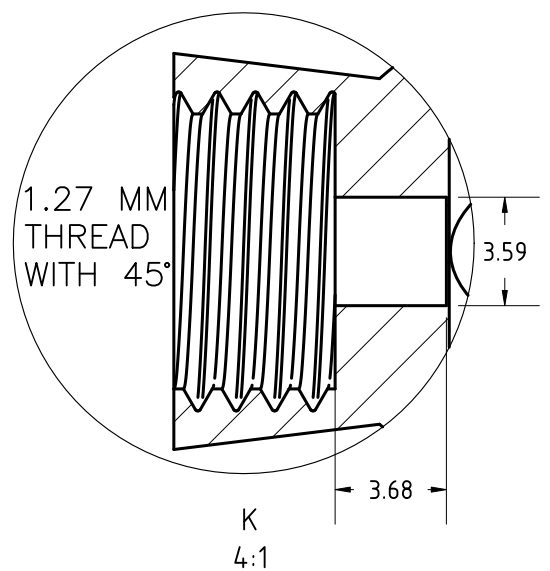
1

2

1

B

B



A

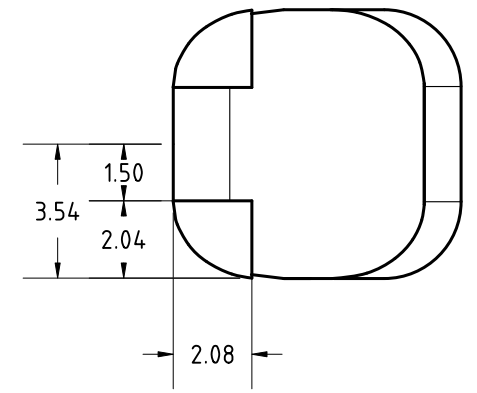
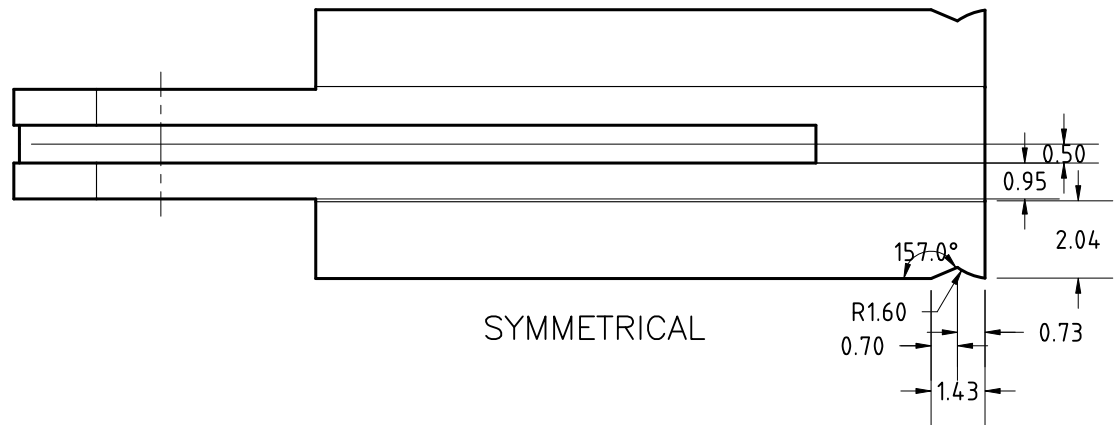
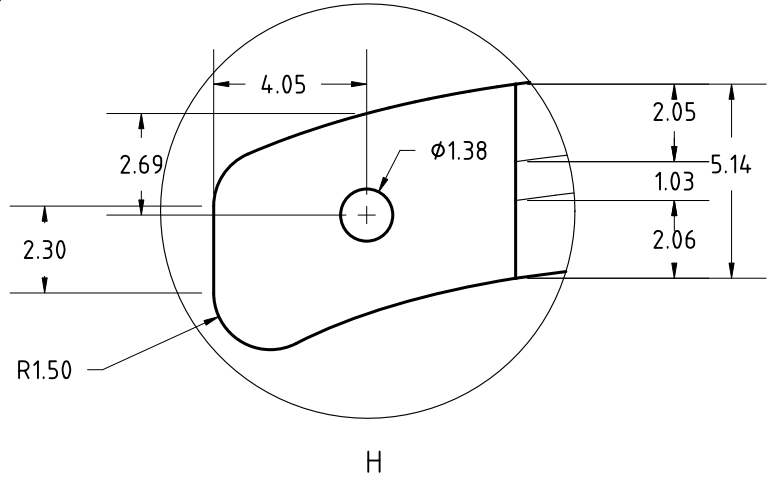
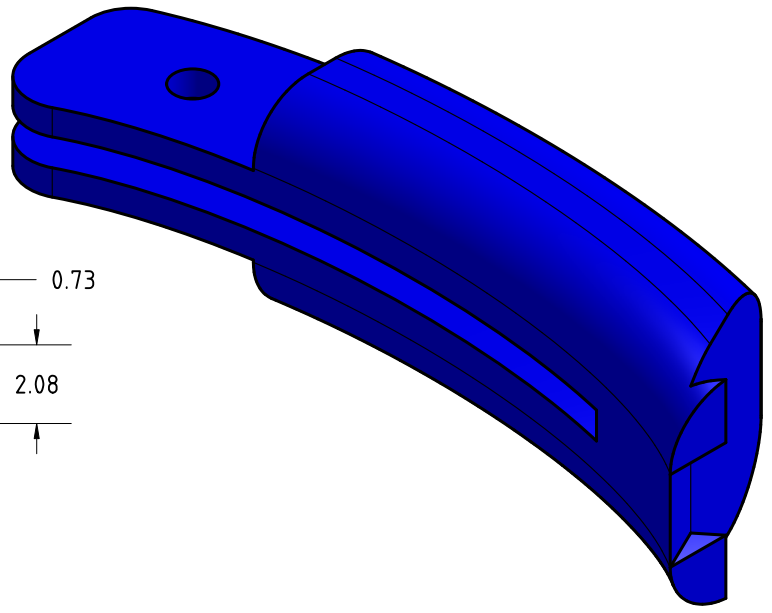
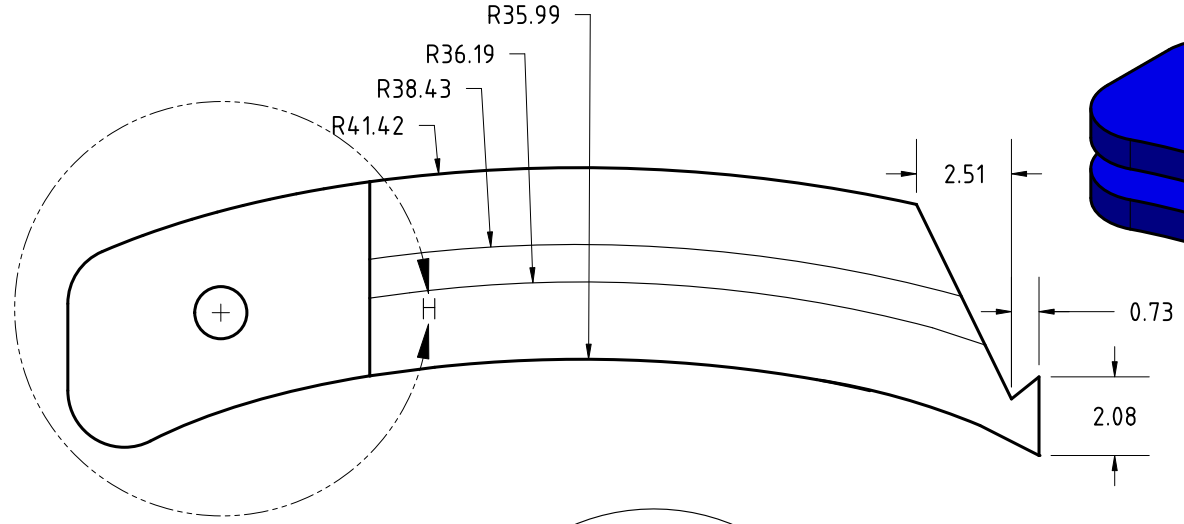
A

2

1

2

1



2

1

2

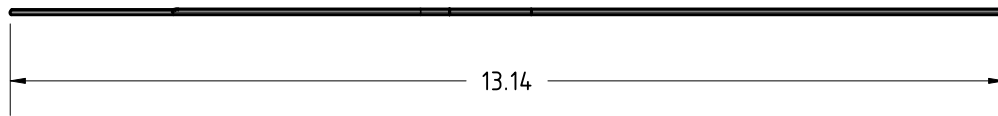
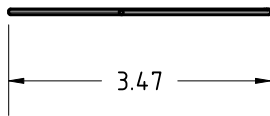
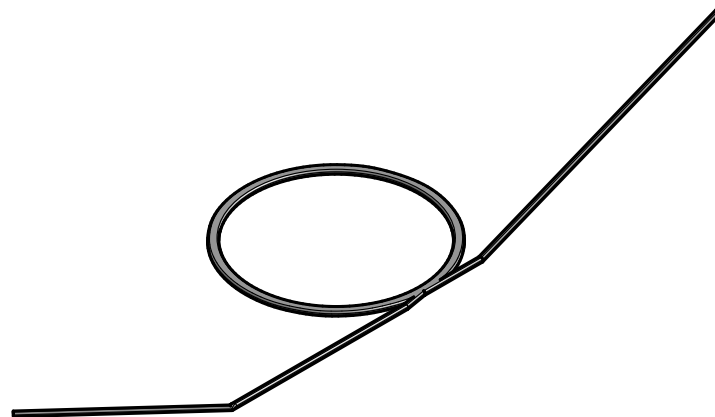
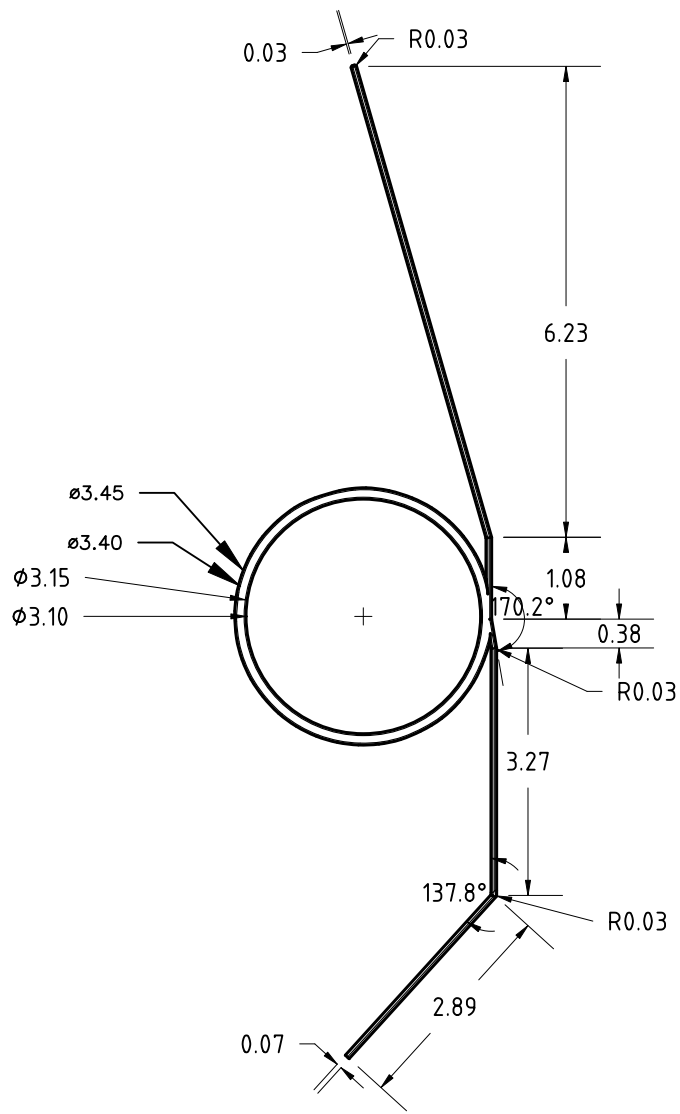
1

B

B

A

A

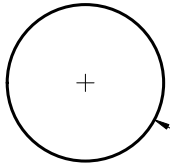


2

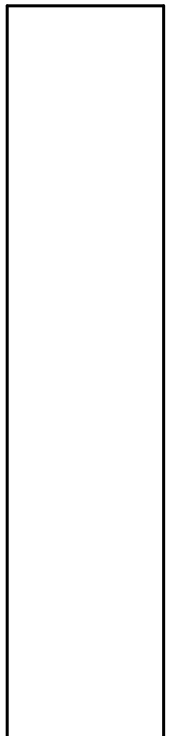
1

2

1



∅1.38



6.46

B

B

A

A

2

1

15:1

PART #

Pin

SHEET

14 of 14

REV.